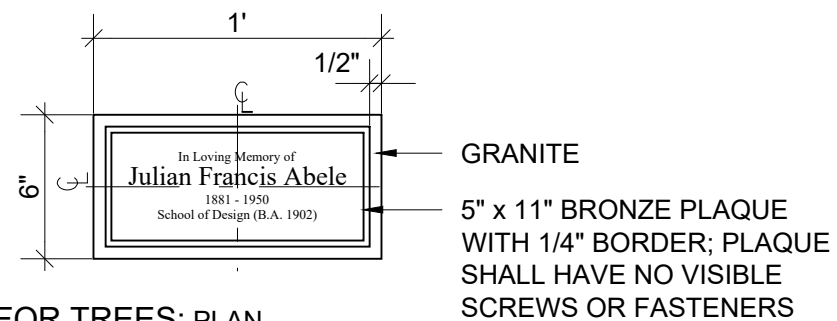


**DONOR PLAQUE FOR TREES: SECTION**

SCALE: 1-1/2"=1'-0"



**DONOR PLAQUE FOR TREES: PLAN**

SCALE: 1-1/2"=1'-0"

**PLAQUE TEXT**

1. TIMES REGULAR/ TIMES NEW ROMAN REGULAR.
2. DONOR NAME TO BE 1/2" CAP HEIGHT.
3. DEDICATION TEXT TO BE 3/8" CAP HEIGHT.
4. CENTER TEXT VERTICALLY AND HORIZONTALLY ON PLAQUE.

**MATERIALS**

1. BRONZE PLAQUE WITH LEATHERETTE FINISH. CENTER TEXT HORIZONTALLY AND VERTICALLY ON PLAQUE.
2. GRANITE TO BE WHITE/ GREY IN COLOR - MOUNT AIRY, MASONS, DEER ISLE OR EQUAL - TO BE APPROVED BY THE OFFICE OF THE UNIVERSITY ARCHITECT.

**INSTALLATION**

1. PROVIDE SHOP DRAWINGS OF PLAQUE FOR APPROVAL.
2. CENTER PLAQUE ON STONE AND MOUNT USING NO VISIBLE SCREWS OR FASTENERS.
3. FASTEN PLAQUE USING TWO (2) STAINLESS STEEL PINS, 1/2" DIAMETER, 3-1/2" LONG (MIN), PAINTED TO MATCH PLAQUE.