



UNIVERSITY OF PENNSYLVANIA
 FACILITIES SERVICES
 3101 WALNUT STREET
 PHILADELPHIA, PENNA. 19104-6289

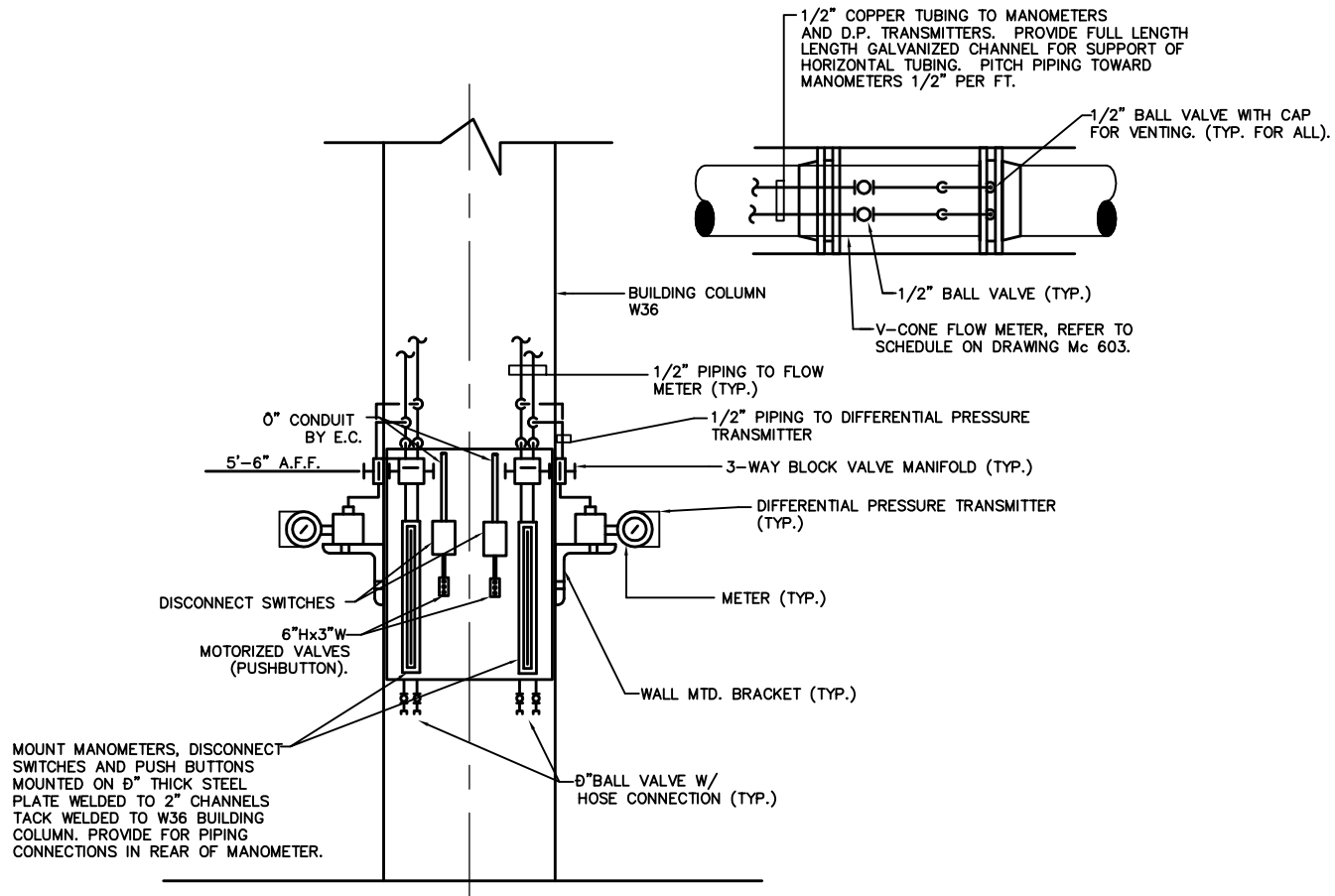
MASTER DETAIL
 HVAC DEPARTMENT

TITLE MANOMETER PIPING AND
 VALVE PUSHBUTTON
 MOUNTING DETAIL

DATE
 08-01-12

REV DATE

FILE NO.



MANOMETER PIPING AND VALVE PUSHBUTTON MOUNTING DETAIL

SCALE: NTS