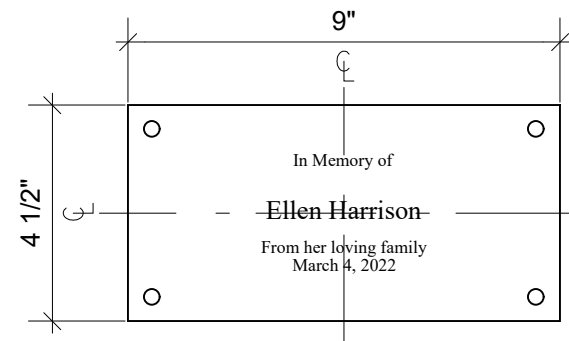


INSTALL PLAQUE ON 2ND AND 3RD SLATS FROM TOP, CENTERED ON BENCH.

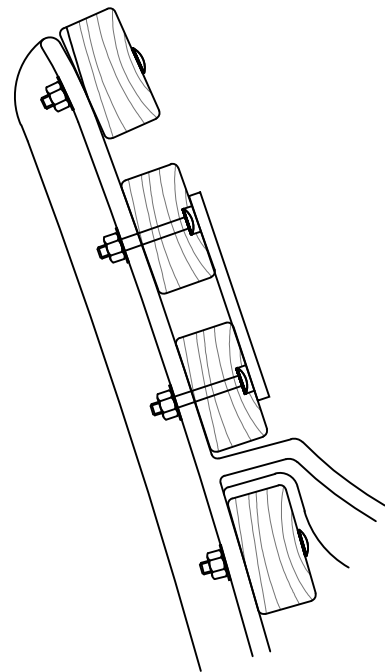
DONOR PLAQUE ON 6' HERMANN BENCH: SECTION

SCALE: 3"=1'-0"



DONOR PLAQUE ON HERMANN PARK BENCH: ELEVATION

SCALE: 3"=1'-0"



REMOVE 2 EXISTING CARRIAGE BOLTS AND RE-DRILL HOLES TO COUNTERSINK BOLT HEADS TO PROVIDE FLAT MOUNTING SURFACE.

DONOR PLAQUE ON 8' HERMANN BENCH: SECTION

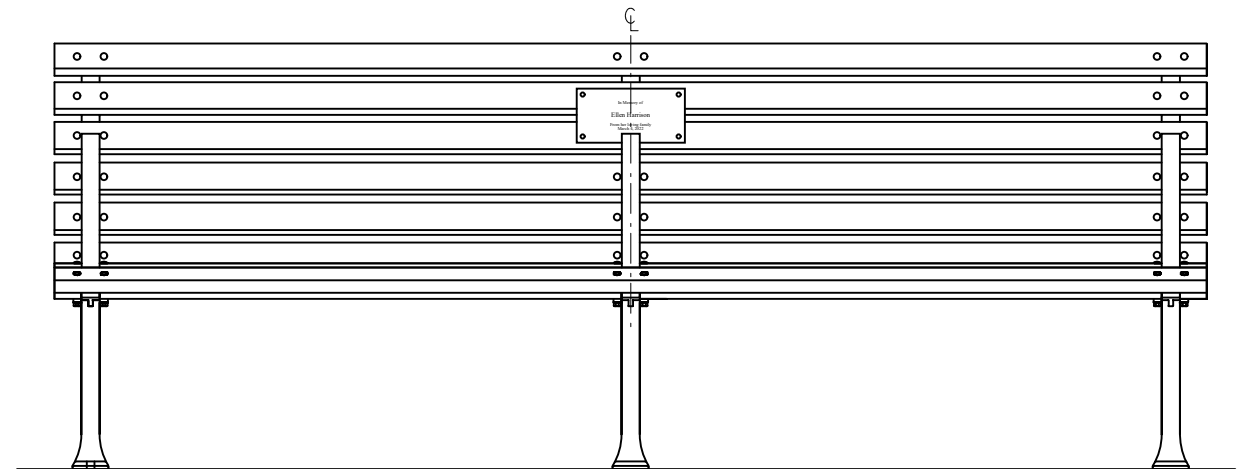
SCALE: 3"=1'-0"

PLAQUE TEXT

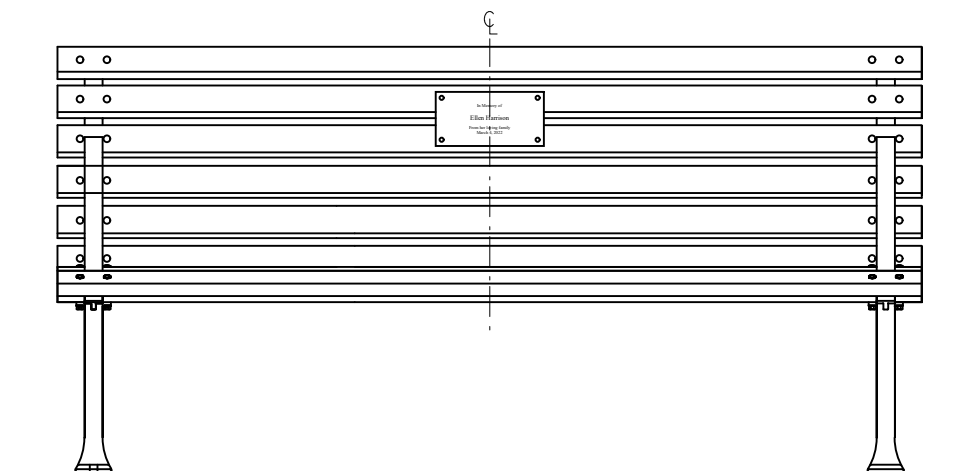
1. TIMES REGULAR/ TIMES NEW ROMAN REGULAR.
2. DONOR NAME TO BE 3/8" CAP HEIGHT.
3. DEDICATION TEXT TO BE 1/4" CAP HEIGHT.
4. CENTER TEXT VERTICALLY AND HORIZONTALLY ON PLAQUE.

NOTES

1. PLAQUE TO BE CAST BRONZE WITH LEATHERETTE FINISH.
2. BEVEL FOUR SIDES AND BUFF TO REMOVE SHARP EDGES.
3. PROVIDE 1" BRONZE MOUNTING SCREWS WITH FLAT TOP TO SIT FLUSH WITH PLAQUE SURFACE IN COUNTERSUNK HOLES.
4. PLAQUES TO BE MOUNTED ON BENCHES BY UNIVERSITY. CENTER ON THE BACK OF BENCH.
5. PLAQUE DEVELOPED IN COLLABORATION WITH DEVELOPMENT AND ALUMNI RELATIONS.
6. PROVIDE MARKUP FOR APPROVAL PRIOR TO FINAL WORK.



8' BENCH



6' BENCH

DONOR PLAQUE ON HERMANN PARK BENCH: ELEVATION

SCALE: 3/4"=1'-0"

CSI 10 14 16 - 1

DONOR PLAQUE - HERMANN PARK BENCH
LANDSCAPE STANDARDS



PRIOR TO CONSTRUCTION, CONFIRM LAYOUT, DIMENSIONS, ADJACENT UTILITIES AND FINAL MATERIALS WITH U OF P OFFICE OF THE UNIVERSITY ARCHITECT. THIS DETAIL TO BE USED AS A GUIDE ONLY. SPECIFIC REVISIONS FOR SITE CONDITIONS AND INTENT ARE THE RESPONSIBILITY OF THE INDIVIDUAL PROJECT DESIGNER.

Facilities & Real Estate Services
Office of the University Architect
2023